

2022 STATE FLAG FOOTBALL EVENT HANDBOOK

Special thanks to the 2022 State Flag Football Sponsors

Gold Medal Sponsors

Illinois Knights of Columbus
Law Enforcement Torch Run
Casey's General Stores
United Airlines
Dunkin'
Jewel Osco
Jersey Mike's
Gallagher
Sloan Valve Company
PACIRA Biosciences, Inc.
NFL Foundation

Bronze Medal Sponsor
Louisville Slugger Sports Complex



***Special
Olympics***
Illinois

Contact Telephone Numbers

Tournament Central	309-242-7602
Fire / Police - Emergency	911
Fire Department - Non-emergency	309-477-2388
Police Department - Non-emergency	309-346-3132
Unity Point Health Hospital	309-347-1151
Unity Point Health East Hospital	309-353-1822

Text Alerts & Event Status Updates

Please sign up for the text alert. This alert will send you any last minute changes to the State Flag Football schedule. Set up your text alert by texting "football" to: 844-393-0980.

Facility Information

The Flag Football State Tournament is being held at the Louisville Slugger Sports Complex, located at 8400 N. Orange Prairie Rd, Peoria.

2022 State Flag Football Coaches Handbook

Table of Contents

Competition Information	
Spectator Code of Conduct	1
2022 Tentative Schedule of Events	2
Coach's Responsibilities	3
Registration/Wristbands	4
Team Competition	4
Team Brackets	5-6
Disqualification/Filing Protests	6-7
Awards	7
Results	7
Participant Meals	7
Guest & Family Meals	8
Medical Information	8
COVID Vaccine, PPE & Attendance For High Risk Individuals	8
Opening Ceremony	9
Souvenirs	9
Family Information	9
Safety	
Water Safety Policy	9
Alcohol Policy	9

Spectator Code of Conduct

As fans (family, friends and supporters) of Special Olympics athletes, it is expected that everyone will play a positive role at Special Olympics Illinois events by following these codes for conduct:

1. Refrain from using abusive or offensive language towards anyone: officials, coaches, opponents and fellow spectators.
2. Remember that athletes are amateur athletes and the coaches and officials are volunteers.
3. An understanding of the rules may lead to a more positive experience at the event. All Special Olympics Illinois sports follow the designated National Governing Body (NGB) rules and any exceptions or modifications to those rules are included in the Special Olympics Illinois Rules Interpretations for the sport. A list of the designated NGB rules and the Rules Interpretations can be found at www.soill.org in the coach section.
4. Keep in mind the Special Olympics oath and remember that winning is not the emphasis of Special Olympics competition.
5. Coaches should be the ones to do the coaching. Please refrain from shouting instructions to athletes.
6. Spectators and fans are prohibited in the competition areas. Only registered coaches, athletes and officials should be in the playing area.
7. ALL CHEERS should be positive and display good sportsmanship. Derogatory comments directed to players, coaches and officials will not be tolerated.
8. Follow instructions or directives given by officials, volunteers or Special Olympics Illinois staff.
9. Special Olympics Illinois has a no tolerance policy in regard to physical altercations involving coaches, athletes, unified partners, volunteers, spectators, family members, etc.

Any spectator who fails to follow directives given by volunteers, officials or Special Olympics Illinois staff or does not adhere to the code of conduct items above will be reprimanded. A reprimand could include one of the following:

- Will be escorted from the venue;
- Will be banned from attending future events for a given period of time;
- Will be permanently banned from attending any Special Olympics Illinois event.

Special Olympics Illinois 2022 State Flag Football

Tentative Schedule of Events

Saturday, November 5

7:30am – 10:00 a.m.	Team Registration
8:15 a.m.	Opening Ceremony
TBA	Souvenir Sales
8:30am - 2:00pm	Family Information and Registration Area Open
9:00 am– 4:00pm	Competition
11:00am - 1:30pm	Lunch

Coach's Responsibilities

It is important that coaches are adequately prepared to deal with the athletes for an extended period of time.

1. The coach is responsible for the athletes 24 hours a day. It is up to the coach to ensure the athletes' physical and emotional needs are met during the tournament.
 - a. Be sure athletes are properly warmed up prior to competition.
 - b. Be sure needed first aid is administered promptly. Bring a first aid kit if possible to deal with minor problems not needing professional attention.
 - c. Be sure athletes are getting adequate rest.
 - d. Be sure athletes eat properly and avoid overeating or missing meals.
NOTE: If an athlete requires a special diet, it is the responsibility of the coach to provide for the athlete's needs. For special diets, bring a cooler with all the proper foods.
2. Each coach should be aware of the athlete's possessions. Check for lost items at Tournament Central.
3. The coach is expected to be totally familiar with the medical conditions, precautions and medication requirements of the athletes. It is the coach's responsibility to administer medication. Knowledge of the medication regimen (what, how much and when) is essential.
4. The coach is required to carry a copy of the valid Application for Participation for each athlete at all times.
5. The coach must ensure that the wristband is worn by the athlete at all times.
6. The coach must be totally familiar with all schedules. Make sure that the athletes are on time for their games or events so they do not miss the opportunity to compete.
7. The coach is expected to be familiar with sports rules.
8. NO ALCOHOLIC BEVERAGES ARE ALLOWED. Agencies breaking alcohol use rules will be disciplined by Special Olympics Illinois.
9. SMOKING IS NOT PERMITTED AT THE VENUE SITES.
10. Communicate with families of the athletes. Inform them of the upcoming tournament and encourage them to attend the Special Olympics Illinois State Flag Football.

Registration

Location: Louisville Slugger Sports Complex
Time: 7:30 am – 10:00 am
Date: Saturday, November 5

1. Only the Head Coach should report to the registration area and bring a state or federal issued photo ID.
2. Verify numbers of coaches and athletes who are actually attending the tournament. The Head Coach will either agree to verify the identity of all of his/her agency coaches/chaperones or these individuals will be required to present their photo ID for verification.
3. Report the names of those registered as of Scratch Deadline but unable to attend (no shows). No mementos, wristbands or meal tickets will be issued in the name of "no show" athletes, Unified partners or coaches.
4. The Head Coach must count wristbands and mementos at the registration table to be certain adequate numbers have been included in the packet.
5. Receive the tournament Coaches Packet containing:
 - a. Computer printout listing your agency's athletes and their divisions.
 - b. Wristbands for athletes and Unified partners.
 - c. Tournament mementos for athletes, Unified partners and coaches.
 - d. Tournament flyers.

Wristbands

Wristbands must be worn at all times. A wristband for each athlete and Unified partner will be provided at registration. The Head Coach is responsible for ensuring that he/she has the proper number of wristbands before leaving the registration area. Take broken wristbands to Tournament Central for replacement.

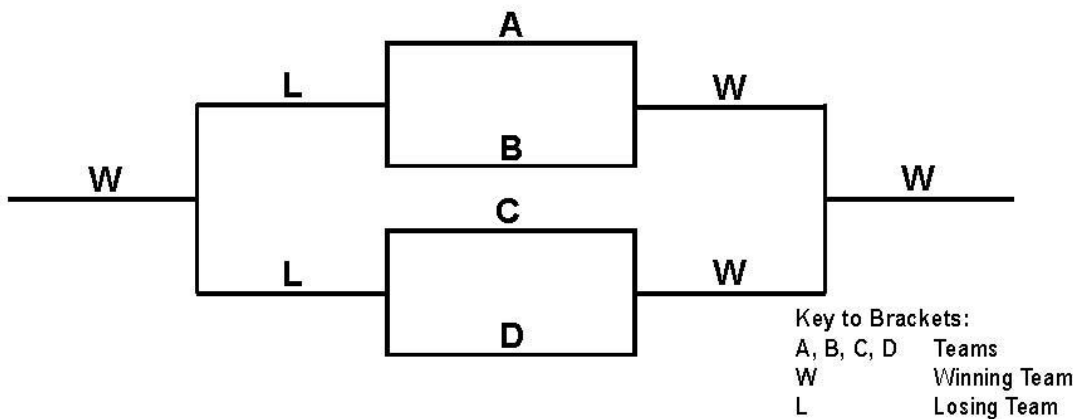
Team Competition

1. Please arrive at least 30 minutes prior to game time to warm up and discuss game situations with officials.
2. Games will start as scheduled.
3. Teams not ready to play within 10 minutes of the designated starting time will forfeit the game.
4. Special Olympics Illinois rules will govern all Special Olympics Illinois State Flag Football Tournament play.
5. Special Olympics Illinois flag football staff will make all final decisions.
6. Wristbands must be worn during all tournament play.
7. Athletes competing in the flag-football team competition will be required to wear appropriate attire. Athletes will not be allowed to wear jewelry or awards during competition. No jeans, jean shorts or street shoes will be allowed to be worn during the competition. No metal spikes, hiking boots, or other equipment deemed dangerous by officials will be allowed. Athletes will be expected to dress appropriately for the weather and competition. All participants must have a playing uniform consisting of matching shirts, shorts or pants, and matching numbers on the front and back which can be tucked in at the waist to avoid obstruction of flag pulling. Shorts and pants must have no pockets. A protective mouthpiece must be worn at all times. A one-piece, three-flag Triple Threat belt will be worn during the games at all times. Athletes not in the proper attire will be disqualified.

Team Brackets

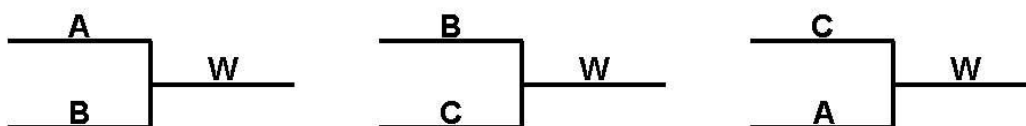
Team brackets indicating divisions and game times will be mailed to agency coaches prior to the tournament. The goal of Special Olympics Illinois is to create four team divisions whenever possible for all state tournament play. In some cases, divisions of two or three teams must be designed in order to provide appropriate competition at state tournaments. In such cases, special rules apply so that each team is given a fair and equal opportunity to achieve success. The following explanation covers all bracketing procedures to be employed by Special Olympics Illinois for tournament play.

Four Team Division: In a four team bracket, each team plays two games. Teams that win first round games move to the right side of the bracket, and teams that lose first round games move to the left side of the bracket. The two winning teams then play for 1st and 2nd place; the losing teams play for 3rd and 4th place. When possible, first round games will be played on one day and 3rd/4th place games and championship games played on the following day.

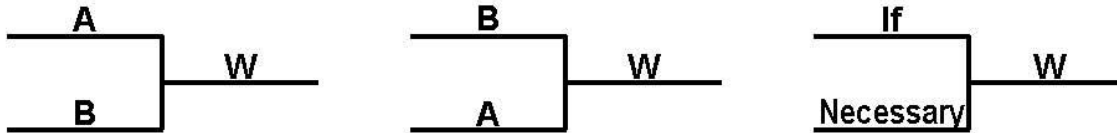


Three Team Division: All play is round robin style. In these divisions, three games will be played with each team competing twice. The team with the best record at the end of the three games will receive first place. If all three teams win one game and lose one game, places of finish will be determined:

1. By the point differential in the games played during the tournament.
2. If the point differential is the same, by the total points scored by each team during the tournament (highest scoring team receives first place).
3. If point differential and point totals are the same, by fewest number of strike outs in the games played during the tournament.



Two Team Division: All play is best two of three games. Teams will be given adequate time to rest between games and should a division go to a third game, the final game will be highlighted for its championship status. In two team divisions, first round games will be played on one day with second round games played the following morning and third round games, if necessary, played late in the afternoon.



Disqualification

Disqualifications will be handled in accordance with Special Olympics Illinois' Disqualification Process:

1. It is the coach's responsibility to be aware of disqualifications at all times. Event officials will be signaled of infractions by course judges. Event officials will not announce disqualifications to the general audience.
2. Disqualified athletes will be given notice of the rule infraction upon completion of the event.
3. A Competition Rules Committee will be available to hear questions concerning disqualified athletes.
4. Awards will be presented upon completion of the event which includes:
 - a. running of the event;
 - b. notice of disqualification if necessary;
 - c. appeal of disqualification if brought forth; and
 - d. final decision of Competition Rules Committee.
5. Decisions of the Competition Rules Committee will be final and binding.
6. Disqualified athletes will receive a participation ribbon. An athlete who is disqualified for unsportsmanlike conduct will not receive a participation ribbon.
7. No disqualification protest will be heard once awards have been completed.

Filing Protests

1. Protests to Games Rules Committee may only be made concerning Game presentation, structure, and conduct.
2. Protests to the Competition Rules Committee may only be made concerning competition of athletes or partners within a venue, where within that competition; rulings are either made or not made in regard to the fairness and equity of the competition. Procedural or technical issues may be protested. Judgment calls made by officials cannot be protested.
3. Protests must be presented by the Coach to the Head Official of the event immediately in an oral fashion so that other event officials are made aware of the appeal. Verbal protests must be made prior to the presentation of awards.
4. If the awards presentation has taken place the registered sport coach has 30 minutes after the awards presentation to file a protest. A corrected awards presentation will be made to that athlete if needed.
5. The Head Official may rule on appeals immediately, but if the response of the Head Official does not resolve the protest, a formal protest may follow.
6. All formal protests must be made by the registered sport coach within one hour of the event in question.
7. All formal protests must be made on the specified form (available from the Head Official).
8. All protests will be brought to the attention of the Competition Rules Committee for final resolution. The decision of this committee will be final and binding unless this committee concludes that the protest concerns Games presentation, structure, and/or conduct, at which time the committee will refer the protest to the Games Rules Committee.

Awards

Awards take place immediately following competition. In case of protests, awards for the division in question will be presented once the protest is adjudicated by the Rules Committee. Medals are awarded to all athletes who finish first, second or third and ribbons are awarded to 4th place finishers. Trophies are presented to gold-medal teams. In cases of disqualification, athletes receive a participation ribbon. Please do not delay awards presentations for picture taking. In cases of ties, awards will be presented using the Olympic format, i.e., 1st, 2nd, 2nd, 3rd, 4th, 5th, 6th, 7th.

Results

Special Olympics Illinois will post the results on the website at www.soill.org after the Tournament. Go to the Results Table to secure a team's scores or place of finish; do not ask event officials or awards presenters; this will delay the process of presenting awards to Special Olympics athletes.

Athlete, Unified Partner & Coach Meals

Lunch will be served Saturday, 11:00am – 1:30pm at the Louisville Sports Complex.

If an athlete requires a special diet, it is the responsibility of the coach to provide for the athlete's needs. Provisions for special dietary needs of athletes or coaches cannot be made by Special Olympics Illinois.

If an event is cancelled or postponed, Special Olympics Illinois may not be able to provide all scheduled meals. In this case, each agency is responsible to arrange and pay for meals Special Olympics Illinois is unable to provide.

Guest/Family Meals

Concessions are available at the facility. There are also a variety of restaurants in the Peoria area. Information about area restaurants will be available at the Family Registration Area. Meals are provided only to registered athletes and coaches.

Medical Information

Trained medical personnel will be on-site during competition. Coaches MUST carry a copy of each athlete's current Medical Form or have access to equivalent information from the form.

Special Olympics Illinois has an accident insurance policy which provides secondary coverage for all athletes, coaches and volunteers. This is provided as backup coverage to your personal insurance. Accident claim forms are available at Tournament Central.

COVID Vaccines, PPE & Attendance by Individuals who are High Risk

Even with the vaccine, there is no way of completely eliminating the risk of infection. Please review the High Risk Fact Sheet in the Resource Section of the State Golf Website Page to assist in determining risks you may face by attending in-person activities.

Special Olympics Illinois is following current State of Illinois COVID requirements. Masks are recommended for indoor venues.

Participants or agencies must provide masks and other needed PPE. Special Olympics Illinois will not provide masks. Hand sanitizer, disinfectant wipes/spray and other cleaning/sanitizing products will be provided on-site.

You can read the High Risk Fact Sheet by clicking on the link:

<https://www.soill.org/wp-content/uploads/2-High-Risk-Fact-Sheet-7.9.20.pdf>

Opening Ceremony

The Opening Ceremony begins at 8:15 am on field 2 at the Louisville Slugger Complex.

Souvenirs

All items are available by on-line order only. To allow everyone enough time to place orders, Minvera Promotions will ship (for free) orders direct to each customer. The order deadline is Monday, November 7. Use this link to connect to State Flag Football Tournament merchandise options:

https://orders.minervapromotions.com/soill_state_flag_football/shop/home

Souvenir items are offered by Minerva Promotions and a percentage of sales are given to Special Olympics Illinois.

Families

Families play an important role in the accomplishments of our athletes and we appreciate that you're here at the event cheering them on! Please stop by family registration to receive a special item as well as your entry ticket for our free Family Raffle. **Don't forget to wear your credentials.** If you don't have family credentials, you can order them at the event – these are FREE to families. Hours are:

Hours: 8:30am - 2:00pm Saturday

Water Safety Policy

All Special Olympics Illinois swimming training, competition and recreational sessions are conducted in accordance with basic safety practices as specified in the Special Olympics Sports Rule Book, of the swimming section. Briefly, this policy specifies that in all swimming activities, there must be a certified lifeguard on duty while Special Olympics Illinois athletes are in the water. This policy is in place for training and competition as well as recreational swimming activities off-site, such as use of a hotel pool.

Alcohol Policy

No alcoholic beverages are allowed during competition. Alcohol consumption by athletes, coaches or Unified partners is not be permitted. Individuals breaking alcohol use rules will be disciplined by Special Olympics Illinois.

**Let me win.
But if I cannot win,
Let me be brave in the attempt.**
— Special Olympics Oath

Special Olympics Illinois
State Headquarters
605 East Willow Street
Normal, IL 61761-2682
309-888-2551

Special Olympics Illinois
Northern Office
500 Waters Edge, Suite 100
Lombard, IL 60148
630-942-5610

Special Olympics Illinois
Southern Regional Office
1318 Mercantile Drive
Highland, IL 62249
618-654-6680

www.soill.org



***Special
Olympics***
Illinois

Special Olympics Created by the Joseph P. Kennedy, Jr. Foundation.
Special Olympics Illinois, Inc. Authorized and Accredited by Special Olympics, Inc.
For the Benefit of Persons with Intellectual Disabilities.