

# 2024 State Basketball Tournament

## Event Handbook



Special thanks to the 2024 Statewide Partners

### STATEWIDE PARTNERS



## Emergency Telephone Numbers

Tournament Central	309-242-7602
Normal Rescue Squad - extreme emergency only	911
Bloomington Rescue Squad - extreme emergency only	911
Carle BroMenn Regional Medical Center	309-454-1400
OSF St. Joseph Medical Center	309-662-3311
ISU Police Department (on campus only)	309-438-8631
IWU Security (on campus only)	309-556-1111

Texting Service: Please text Basketball to 844-393-0980 to receive weather or emergency updates to the 2024 State Basketball event. The Text Alert System is the primary method for communicating schedule changes or emergency tournament information.

Please also visit the State Basketball Tournament web page to stay up-to-date on tournament information. The website is:

<https://www.soill.org/blog/events/state-basketball-tournament-980-984/>

## Facility Addresses

### **Illinois State University**

Horton Field House  
Main & College Avenue  
Normal, IL

### **Illinois Wesleyan University**

Shirk Center  
302 E. Emerson  
Bloomington, IL

### **\*New State Basketball Skills Venue**

#### **Metcalf Elementary School**

Illinois State University  
7000 S University St, Normal, IL 61790

# Table of Contents

## **Competition Information**

2024 Basketball Tentative Schedule of Events	1
Registration/Wristbands	2
Team Competition	2
Team Uniforms	3
Team Brackets	3-4
Individual Skills Competition/Divisioning/Uniforms	4
Individual Skills Uniforms	5
Cheerleaders	5
Athlete Awards/Results	5
Kiosk	5

## **Activities/Entertainment**

Opening Ceremony	5
Victory Dance/Evening Entertainment	6
Souvenirs	6

<b>Meals for Athletes &amp; Coaches</b>	6
---	---

<b>Medical Information</b>	6
----------------------------	---

## **Families/Guests**

Family Program	7
----------------	---

<b>Spectator Code of Conduct</b>	7-8
----------------------------------	-----

## **Maps**

Horton Field House	9
Shirk Center	10

# Special Olympics Illinois 2024 Basketball Tournament

## Tentative Schedule of Events

### Friday, March 8, 2024

8:00am – 1:00pm	Registration – Horton Field House & Shirk Center
9:00am - 3:00pm	Family Information Center Open - Horton Field House & Shirk Center
10:00am – 5:00pm	Team Competition for Female Teams, Junior & High School Teams Horton Field House & Shirk Center <b>(All Divisions played Friday only)</b>
9:30am – 4:00pm	Souvenir Sales Horton - Field House & Shirk Center
11:00am - 2:00pm	Lunch - ISU Linkins Dining Center & Shirk Center
5:00pm – 7:00pm	Dinner- ISU Linkins Dining Center
7:00pm- 7:30pm	Opening Ceremony - Horton Field House
7:30pm – 9:00pm	Victory Dance & Laser Tag - Horton Field House

**Team competition for Female, High School and Junior Divisions will be played on Friday, March 8<sup>h</sup> only. All teams will play both of the team's games Friday and be awarded after the 2<sup>nd</sup> game.**

### Saturday, March 9, 2024

8:00am - 1:00pm	Team Registration - Horton Field House & Shirk Center
8:00am – Noon	Individual Skills Registration – Metcalf School (Please refer to registration section for more info)
9:00am - 5:00pm	Team Competition (all)- Horton Field House & Shirk Center
9:00am - 3:00pm	Family Information Center Open – Horton Field House & Shirk Center
9:00am – 1:00pm	Individual Skills Competition – Metcalf Elementary
9:00am – 4:00pm	Souvenir Sales - Horton Field House & Shirk Center
11:00am - 2:00pm	Lunch – ISU Linkins Dining Center & Shirk Center
5:00pm – 7:00pm	Dinner – ISU Linkins Dining Center
7:00pm – 9:00pm	Victory Dance and Bags (No Laser Tag on Saturday)

### Sunday, March 10, 2024

9:00am - 12:30pm	Team Competition for Senior Male Teams - Horton Field House & Shirk Center
------------------	--

## **Registration for Agencies**

**Horton Field House & Shirk Center, Main Lobby**

Friday, March 8  
8:00am – 1:00pm

**\*Metcalf Elementary School**

Saturday, March 9  
8:00am - 12:00pm

**Horton Field House & Shirk Center, Main Lobby**

Saturday, March 9  
8:00am - 1:00pm

\* If your agency has athletes competing in both Individual Skills and team play, you will be contacted regarding the registration site for your skills athletes.

Only the Head Coach should report to the registration table and bring a state or federal-issued photo ID.

Be sure to allow your team(s) and skills athletes enough time to register and get to their assigned court on time.

## **Wristbands for Athletes**

Wristbands must be worn at all times. A wristband for each athlete is provided at registration. The Head Coach is responsible for ensuring that they have the proper number of wristbands before leaving the registration area. Take broken wristbands to Tournament Central for replacement.

## **Team Competition**

1. Please arrive at least 15 minutes prior to game time to warm up and discuss game situations with officials.
2. Games will start as scheduled.
3. Teams not ready to play within 10 minutes of the designated starting time will forfeit the game.
4. IHSA, SOI and Special Olympics Illinois rules will govern all Special Olympics Illinois State Basketball Tournament play.
5. Special Olympics Illinois basketball staff will make all final decisions.
6. Wristbands must be worn during all tournament play.
7. If a team is playing on a court where the team benches are at the end of the court, one coach from the team may be positioned at the opposite end of the court in the designated spot.

## Team Uniforms

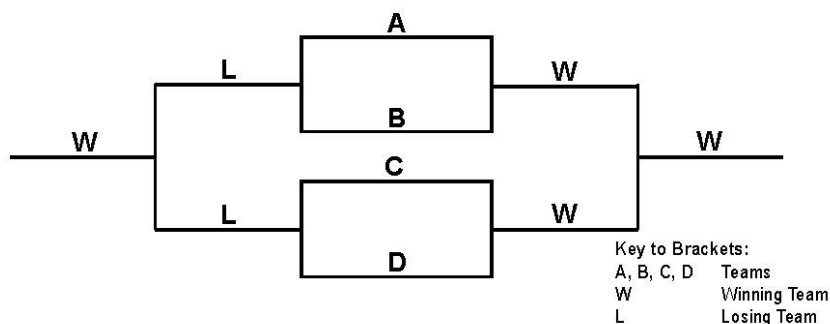
IHSA rules require all team players to be in uniforms. Rules specify that shorts and shirts with numbers must be worn. Athletes' uniforms must show legal numbers and contain no advertising. Legal numbers are: 0, 1, 2, 3, 4, 5, 00, 10, 11, 12, 13, 14, 15, 20, 21, 22, 23, 24, 25, 30, 31, 32, 33, 34, 35, 40, 41, 42, 43, 44, 45, 50, 51, 52, 53, 54 and 55. The numbers "0" and "00" are not allowed on the same team roster. Taping proper numbers on jerseys is allowed.

Teams are allowed to wear pinnies provided by the tournament to correct illegal numbers. These pinnies will be used only when teams have uniforms of the same color. It is the responsibility of the Head Coach to ensure that athletes are in proper uniforms before each game begins. Players are not allowed to play in long pants, even sweat pants. Proper court shoes are required.

## Team Brackets

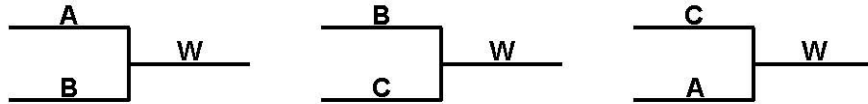
Team brackets indicating divisions and game times are emailed to basketball team coaches prior to the tournament. The goal of Special Olympics Illinois is to create four team divisions whenever possible. In some cases, divisions of two or three teams may be designed in order to provide appropriate competition. The following explanation covers all bracketing procedures employed by Special Olympics Illinois for tournament play.

**Four Team Division:** In a four team bracket, each team plays two games. Teams that win first round games move to the right side of the bracket, and teams that lose first round games move to the left side of the bracket. The two winning teams then play for 1st and 2nd place; the losing teams play for 3rd and 4th place. When possible, first round games are played on one day and 3rd/4th place games and championship games played on the following day.



**Three Team Division:** All play is round robin style. In these divisions, three games are played with each team competing twice. The team with the best record at the end of the three games will receive first place. If all three teams win one game and lose one game, places of finish will be determined:

1. By the point differential in the games played during the tournament.
2. If the point differential is the same, by the total points scored by each team during the Tournament (highest scoring team receives first place).
3. If point differential and point totals are the same, by free throw percentages in games played during the tournament.



**Two Team Division:** All play is best two of three games. Teams are given adequate time to rest between games and should a division go to a third game, the final game will be highlighted for its championship status. In two team divisions, first round and second round games can be played on one day and the third round game, if necessary, played the next day.



### Individual Skills Competition

Individual Skills Competition is Saturday, March 9 at Metcalf Elementary School. Individual Skills athletes begin competing at 9:00am. All traditional skills athletes will compete followed by the Young Athletes Skills competition. Coaches are able to drop off athletes at the staging area and sit in the spectator seating located in both gyms. No coaches or spectators are allowed on the floor during competition. Awards are presented after the completion of each competition division.

### Divisioning for Individual Skills Competition

For individual sports and individual skills competition, divisions will have no more than eight athletes and whenever possible, no less than three. In team sports, the best practice is to have four team divisions to allow for fair and equitable competition.

When possible, athlete divisions have no more than a 20% recorded difference. At any point in time, genders and age may be combined to allow for competitive divisions.

The following universal designations are used:

- M Male
- F Female
- OP Open (eliminates age delineations)
- C Combined (eliminates gender delineations)
- CO Combined Open (eliminates both age and gender delineations)

## **Individual Skills Uniforms**

All Individual Skills athletes are expected to wear basketball style athletic wear. Shorts, T-shirts and gym shoes are not only the most comfortable style of clothing, but also the safest. Athletes are not allowed to compete in street shoes or jeans. Uniform numbers are not necessary. Agency athletic wear is not required to be the same colors, but it is encouraged.

## **Cheerleaders**

Cheerleaders are only allowed as spectators for the tournament. As a spectator for this event, they will not receive a tournament memento, wristband, meal ticket or award. Cheerleaders are not allowed on the court with the players or team and will not be able to do any routines at any time before, during or after games. Cheerleaders are restricted to the areas allowed for spectators.

## **Athlete Awards**

Awards are given at the end of competition for each division. Medals are presented to each member of first, second or third place teams or skills divisions. Ribbons are awarded for fourth through eighth place. A trophy is awarded to first place teams only. Awards presentations are at the Shirk Center and Horton Field House. Awards volunteers are not responsible for lost or stolen awards.

## **Electronic Kiosks**

A Special Olympics Illinois kiosk is located in near Family Registration at both Horton Field House and the Shirk Center. Please utilize the kiosk to check competition schedules, venue and event support locations, Special Olympics Illinois information and to find out entertainment and dining options in the community.

## **Results**

Results venues are set up at Horton Field House and Shirk Center. Final results are also available on the Special Olympics Illinois website the week following the tournament at [www.soill.org](http://www.soill.org).

## **Opening Ceremony**

The Opening Ceremony begins at 7:00 pm on Friday, March 8 in Horton Field House. There will not be a Parade of Athletes and teams are not assigned space in the gathering area. Teams should arrive by 6:45pm and find a location to stand in the Ceremony area. The Ceremony will feature the Athlete Oath, a torch run including Law Enforcement personnel and the lighting of the cauldron. Families and spectator seating is in the balcony area above the main floor.



## **Dances & Evening Entertainment**

A victory dance is scheduled for both Friday and Saturday nights. Laser tag will be offered Friday night and bags will be offered Saturday night. Friday night entertainment will take place after the Opening Ceremony and run from 7:30pm-9:00pm. Saturday's victory dance and bags will take place after dinner from 7:00-9:00pm. Activities on both evenings will take place in Horton Field House.

## **Souvenirs**

Minerva Promotions is selling souvenirs at Horton Field House and The Shirk Center on Friday, from 9:30am to 3:00pm and on Saturday, from 9:00am to 4:00pm. Items include clothing and other traditional souvenir items. State Basketball Tournament specific items will be sold. Cash and most major credit cards are accepted. CHECKS ARE NOT ACCEPTED. A percentage of sales are given to Special Olympics Illinois.

You can save time and pre-order items and pick them up on-site. Customization is offered for both pre-order and on-site sales. The pre-order deadline is February 22.

Please go to [www.soillstatestore.com](http://www.soillstatestore.com) to view items and submit your preorder.

## **Meals for Athletes and Coaches**

Meal times are:

Friday Lunch - Meal #1	11:00am - 2:00pm	Linkins Dining Ctr & Shirk Ctr
Friday Dinner - Meal #2	5:00pm - 7:00pm	Linkins Dining Ctr
Saturday Lunch - Meal #3	11:00am - 2:00pm	Linkins Dining Ctr & Shirk Ctr
Saturday Dinner - Meal #4	5:00pm - 7:00pm	Linkins Dining Ctr

If an athlete requires a special diet, it is the responsibility of the coach to provide for the athlete's needs. Provisions for special dietary needs of athletes or coaches cannot be made by Special Olympics Illinois.

## **Medical Information**

Trained medical personnel will be at all competition sites during the weekend. Coaches are required to carry a copy of each athlete's valid Special Olympics Illinois Medical Form (or be able to provide comparable medical and emergency contact information) with them at all times.

## Family Program

The Family Leadership team has set up the following special events for families of athletes.

### *Registration, Information & Hospitality*

Please encourage all family members to register at the Family Information/Registration Area at ISU Horton Field House and in the main lobby at IWU Shirk Center. New families as well as our veteran families should stop by to let us know you are here and enter the raffle to win prizes. Information on athlete's teams and game schedules and community information will be available.

### **Friday, March 8**

9:00am – 3:30pm      Registration/Information Center Open – ISU Horton Field House/IWU Shirk Center

7:00pm-7:30pm      Opening Ceremony

### **Saturday, March 9**

9:00am - 3:00pm      Registration/Information Center Open – ISU Horton Field House/IWU Shirk Center

## **Spectator Code of Conduct**

As fans (family, friends and supporters) of Special Olympics athletes, it is expected that everyone will play a positive role at Special Olympics Illinois events by following these codes for conduct:

1. Refrain from using abusive or offensive language towards anyone: officials, coaches, opponents and fellow spectators.
2. Remember that athletes are amateur athletes and the coaches and officials are volunteers.
3. An understanding of the rules may lead to a more positive experience at the event. All Special Olympics Illinois sports follow the designated National Governing Body (NGB) rules and any exceptions or modifications to those rules are included in the Special Olympics Illinois Rules Interpretations for the sport. A list of the designated NGB rules and the Rules Interpretations can be found at [www.soill.org](http://www.soill.org) in the coach section.
4. Keep in mind the Special Olympics oath and remember that winning is not the emphasis of Special Olympics competition.
5. Coaches should be the ones to do the coaching. Please refrain from shouting instructions to athletes.
6. Spectators and fans are prohibited in the competition areas. Only registered coaches, athletes and officials should be in the playing area.
7. ALL CHEERS should be positive and display good sportsmanship. Derogatory comments directed to players, coaches and officials will not be tolerated.
8. Follow instructions or directives given by officials, volunteers or Special Olympics Illinois staff.

9. Special Olympics Illinois has a no tolerance policy in regard to physical altercations involving coaches, athletes, unified partners, volunteers, spectators, family members, etc.

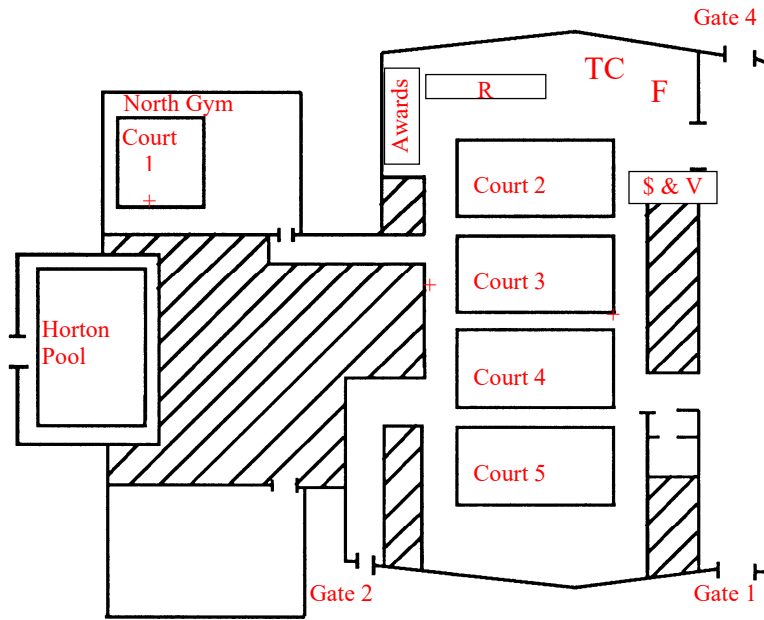
Any spectator who fails to follow directives given by volunteers, officials or Special Olympics Illinois staff or does not adhere to the code of conduct items above will be reprimanded. A reprimand could include one of the following:

Will be escorted from the venue;

Will be banned from attending future events for a given period of time;

Will be permanently banned from attending any Special Olympics Illinois event.

# Horton Field House



Key: T/C Tournament Central  
F Family Center  
R Results  
\$ Souvenir Sales  
V Volunteers  
+ Medical

# Shirk Center

